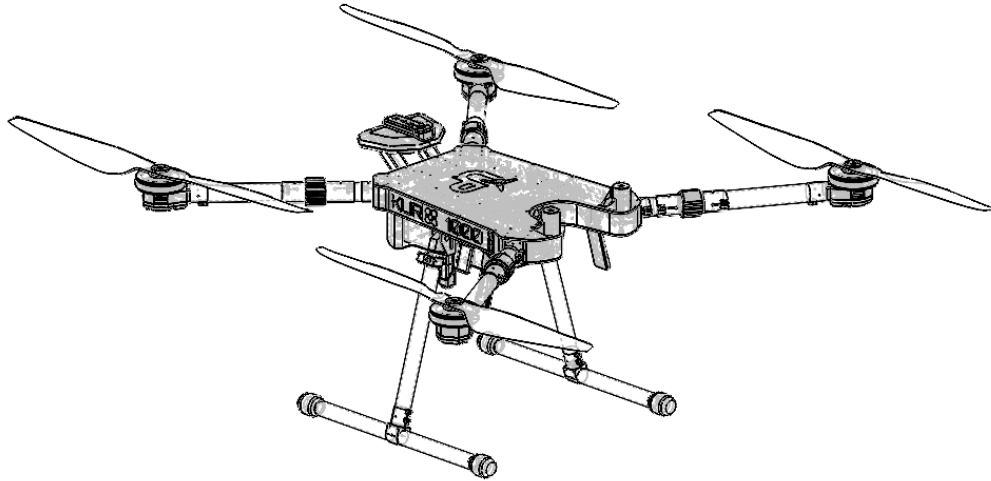




UP CAELI VIA KUR-1000PRO



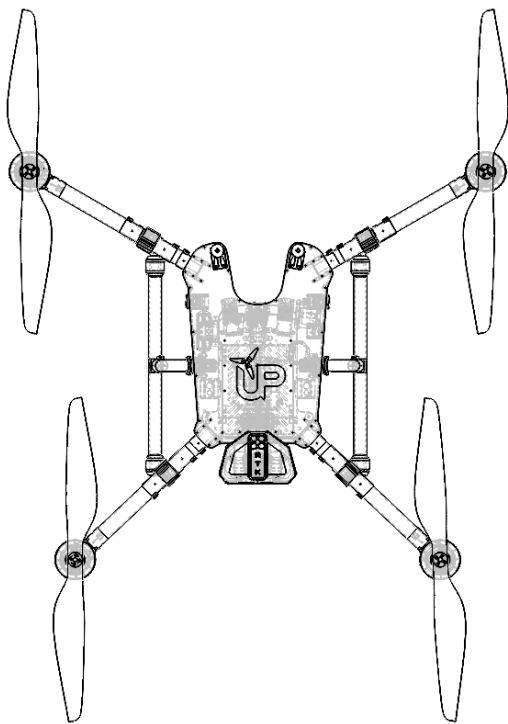
Unmanned aerial vehicle	
Class type	Rotary wing, 4 rotors
Mass	
Maximum TakeOff Mass (MTOM)	14.700 kg
Maximum payload mass	5 kg
Frame mass (no batteries)	6.5 kg
Batteries mass	3.2 kg
Empty takeoff mass (no payload)	9.7 kg
Transport case mass	15 kg
Dimensions	
Diagonal wheelbase	1250 mm
Maximum dimensions (no propellers)	1000 x 900 x 530 mm
Maximum dimensions (with propellers)	1750 x 1600 x 530 mm
Transport case dimensions	800 x 630 x 390 mm
Batteries	
Battery type	Lithium polymer 6 cells
Nominal voltage	22.2 V
Nominal energy	12.000 mAh x 2
Nominal current	15 C (180 A)
Mass	1,6 kg x 2



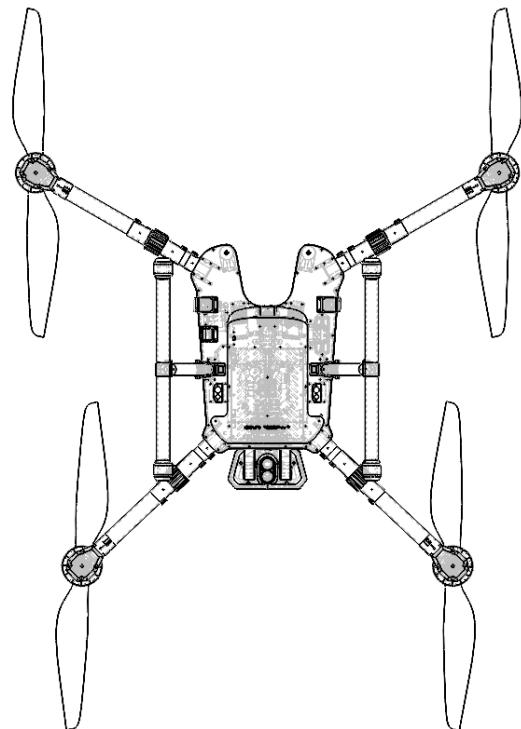
Propellers	
Blades number	2
Material	Polished carbon fiber
Diameter	29 in
Pitch	9.5 in fixed
Motors	
Type	Brushless DC
KV	190
Radio Control, telemetry and Ground Control Station	
Model	Herelink HD
Screen	5.46 in 1080p capacitive touch screen
Frequency band	2.4 GHz ISM
Range	CE 12 km, FCC 20 km
Telemetry and GCS protocol	MAVLink
Connectivity	microUSB, Bluetooth / WIFI / GPS / 2.4G
Battery	Built-in 4950 mAh LiPo
On-board sensors	
FCU	Pixhawk 2.1 The Cube Orange
IMU	Redundant triple IMU unit, temperature controlled and vibration isolated
GNSS	184 channel u-blox ZED-F9P, GPS L1C/A L2C, GLONASS L1OF L2OF, Galileo E1B/C E5B, BeiDou B1I B2I, QZSS L1C/A L1S L2C, SBAS L1C/A, RTK up to 20 Hz
Obstacle detection	TOF sensors up to 60 m in 5 directions: left, right, up, front rear
Ground measurement	Laser altimeter up to 120 m downward facing
Performance	
Maximum horizontal speed	20 m/s
Minimal ratio: (Max Thrust)/(Max Weight)	1,956
Maximum ratio: (Max Thrust)/(Min Weight)	2,935
Flight Time	36 min. (no payload) 24 min. (2.4 kg payload) 21 min. (4.5 kg payload)
Maximum altitude	3000 m ASL
Maximum vertical speed	Ascent: 5 m/s



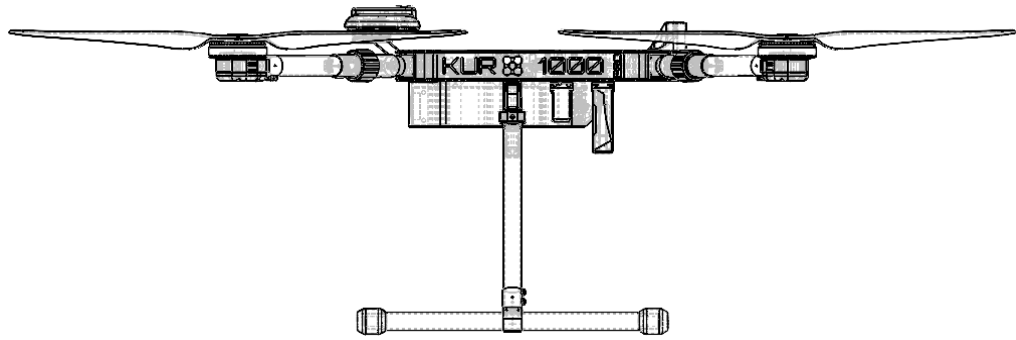
	Descent: 2.5 m/s
Maximum lean angle	30°
Maximum wind resistance	12 m/s
Payload	
Mass	5000 g (max)
Type	<ul style="list-style-type: none"> • Optical sensors • Thermal sensors • Multispectral sensors • Active/passive payloads • HVCR • Other kinds
Video downlink	Double video stream 1080p 30/60 fps
Video transmission range	CE 12 km, FCC 20 km
Image delay	≤ 110 ms
Other	
Landing gear	Retractable, T-shaped
Navigation lights	4 navigation lights
Navigation FPV camera	1080p, tilt +70°/-80°
Emergency systems	Independent Flight Termination System (FTS)
Optional	Frontal propeller guards



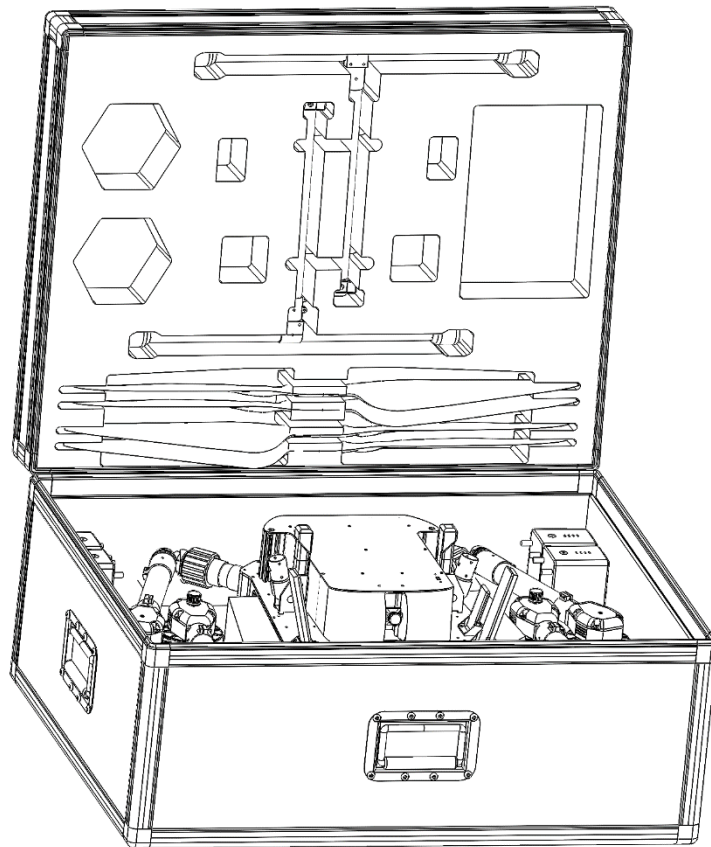
Top view



Bottom view



Lateral view



Flight transport case